

## 868MHz & 3G Low Profile Antenna

**LPA-868-3G**



### Electrical Data

<b>Frequency Range (MHz)</b>		
<b>Operational Bands</b>		868 & 3G
<b>Bandwidth @ 2:1 VSWR</b>		8%
<b>Gain: Isotropic</b>	<b>868MHz</b>	2dBi
	<b>2100MHz</b>	2dBi
<b>Compared with 1/4 wave</b>	<b>868MHz</b>	0dB
	<b>2100MHz</b>	0dB
<b>Polarisation</b>		

### Mechanical Data

<b>Dimensions (mm)</b>	<b>Height</b>	15.5
	<b>Length</b>	104
	<b>Width</b>	40
<b>Operating Temp (°C)</b>		-40° / +80°C
<b>Materials</b>		Engineering Plastic
<b>Colour</b>		Black

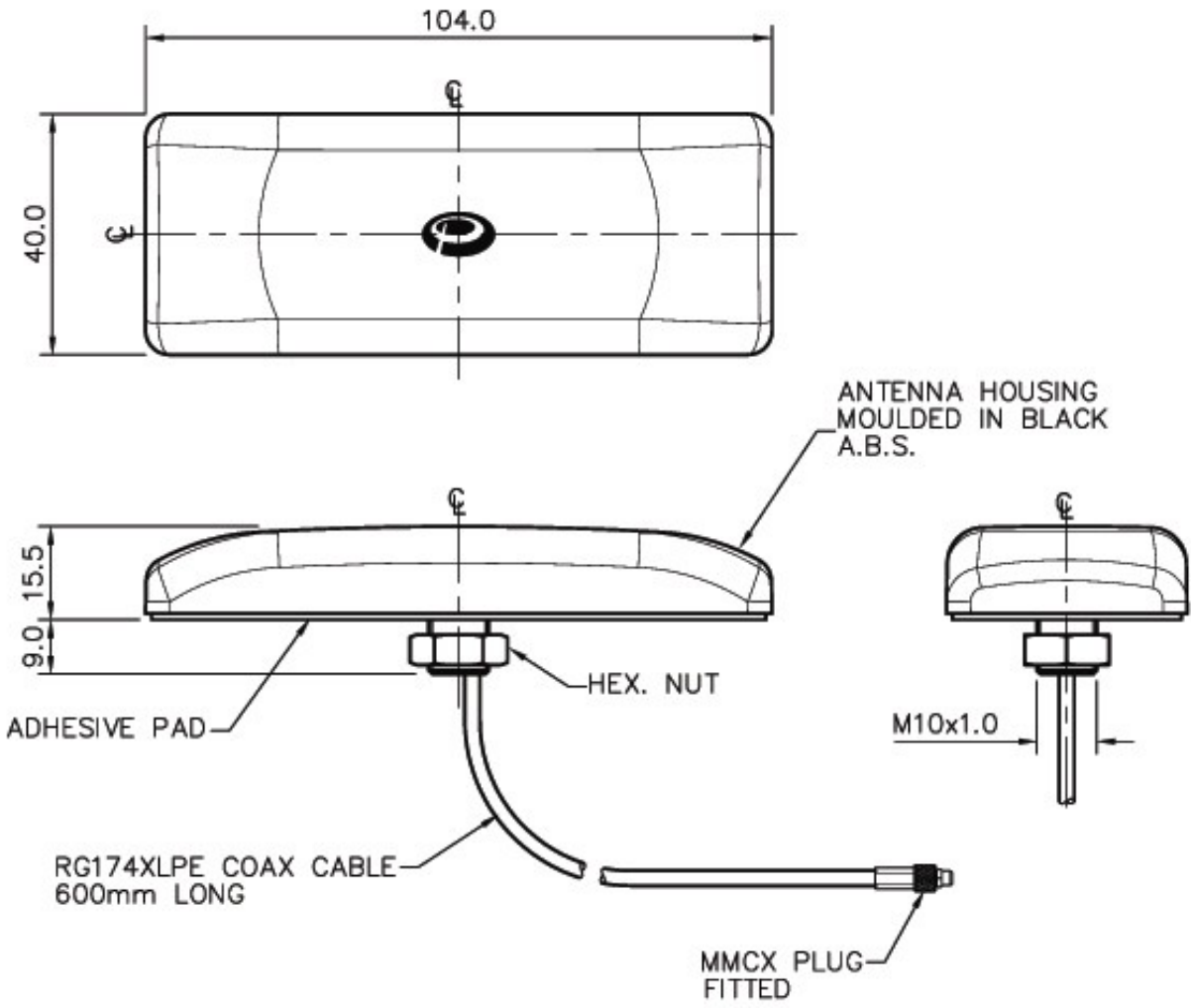
### Mounting Data

<b>Fixing</b>		Panel Mount
<b>Mounting Hole Size (mm)</b>	<b>Length</b>	9
	<b>Diameter</b>	10

### Cable Data

<b>Type</b>	RG174XLPE Coax
<b>Thickness (mm)</b>	2.8
<b>Length (m)</b>	600
<b>Termination</b>	MMCX Plug

Technical Drawing



LPA-868-3G