



TCB-C3G-UF & TCF-C3G-UF

- Vending machine antennas
- Quick & simple installation
- Suitable for plastic enclosures
- Cost efficient

- Vending machine antennas
- Quick & simple installation
- Suitable for plastic enclosures
- Cost efficient

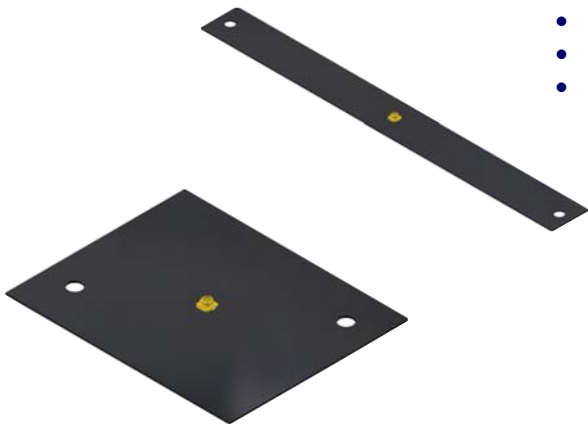
Kit consists of:

Multiband PCB Antenna

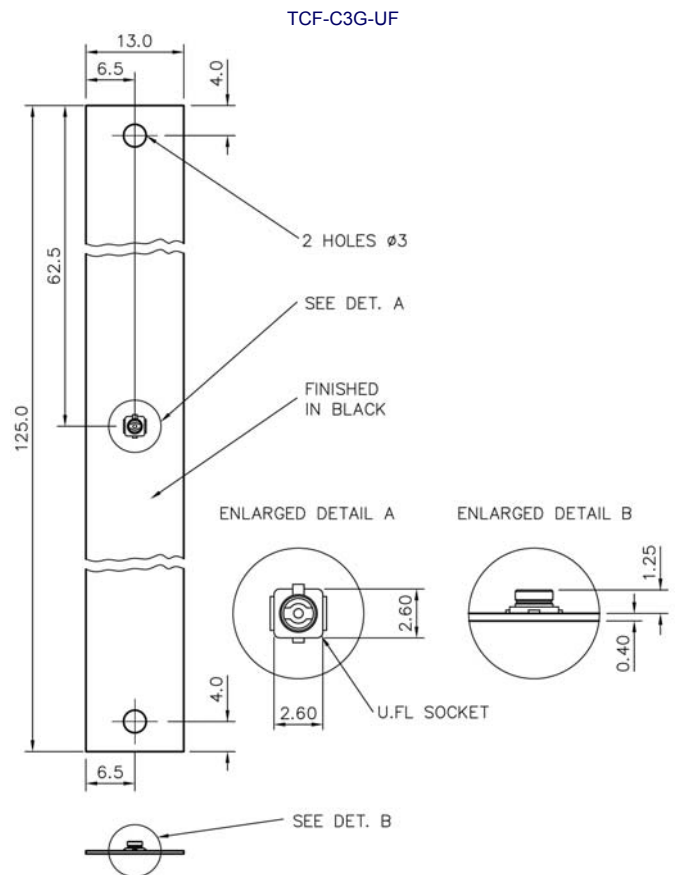
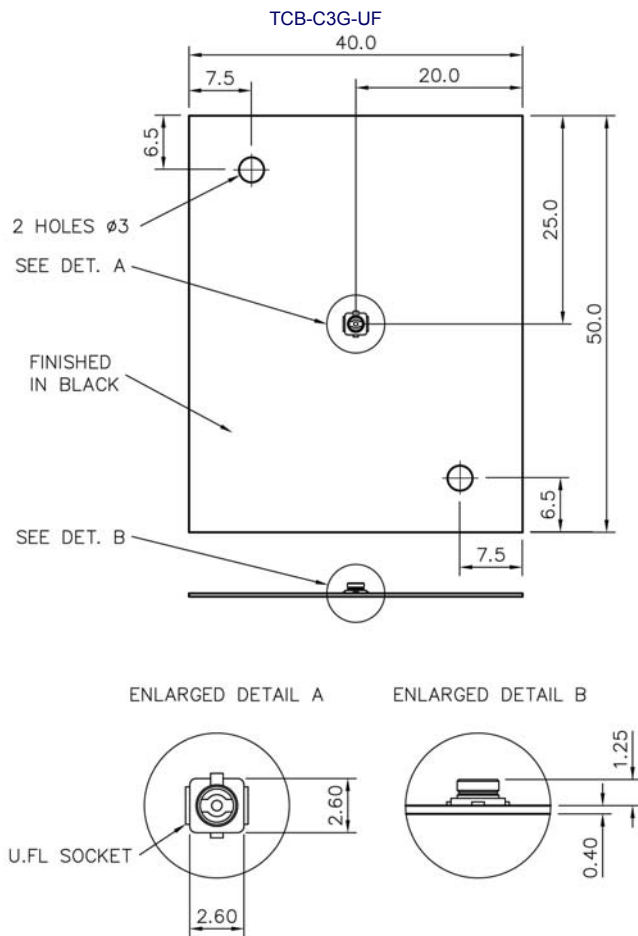
Part No

TCB-C3G-UF

TCF-C3G-UF

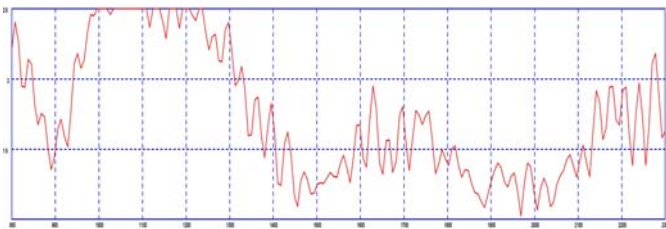


Technical Drawing

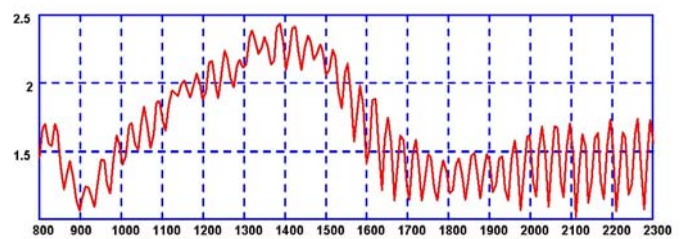


Performance

TCB-C3G-UF - Typical VSWR v Freq (MHz)



TCF-C3G-UF - Typical VSWR v Freq (MHz)



Part No.

	TCB-C3G-UF	TCF-C3G-UF	
Electrical Data			
Frequency Range (MHz)	850, 900, 1800, 1900, 2100	850, 900, 1800, 1900, 2100	
Operational Bands	GSM850 / CDMA800 GSM900 GSM1800 PSC1900 3G UMTS	GSM850 / CDMA800 GSM900 GSM1800 PSC1900 3G UMTS	
Gain: Isotropic	2 dBi	2 dBi	
Compared to ¼ wave	0 dB	0 dB	
Impedance	50Ω	50Ω	
Max Input Power (W)	10	10	
Mechanical Data			
Dimensions (mm)	Length	50	125
	Width	40	13
	Thickness	0.4	0.4
Operating Temp (°C)	-40° / +80°C	-40° / +80°C	
Colour	Black	Black	
Weight (g)	6	6	
Mounting Data			
Fixing Holes	Ø 3	Ø 3	
Connector			
Type	U.FL Socket	U.FL Socket	
Height (mm)	1.25	1.25	
Length / Width (mm)	2.6	2.6	