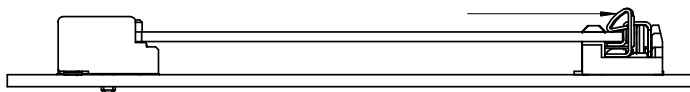
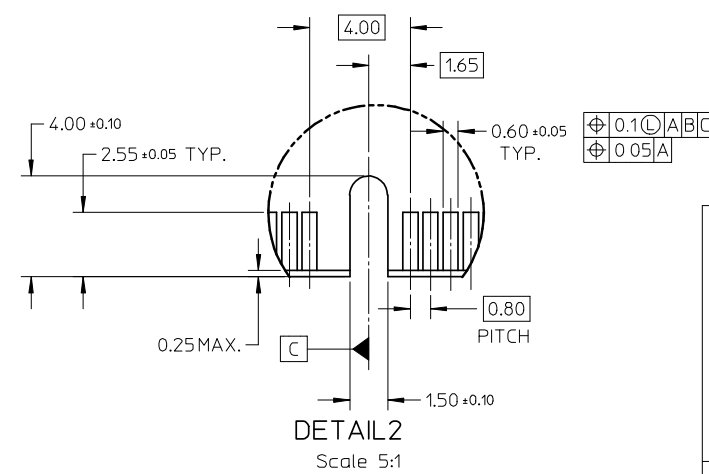
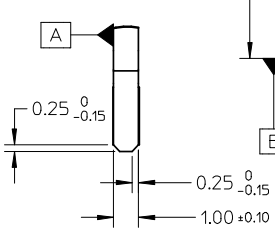
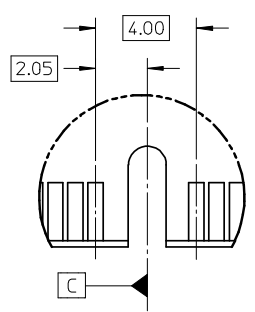
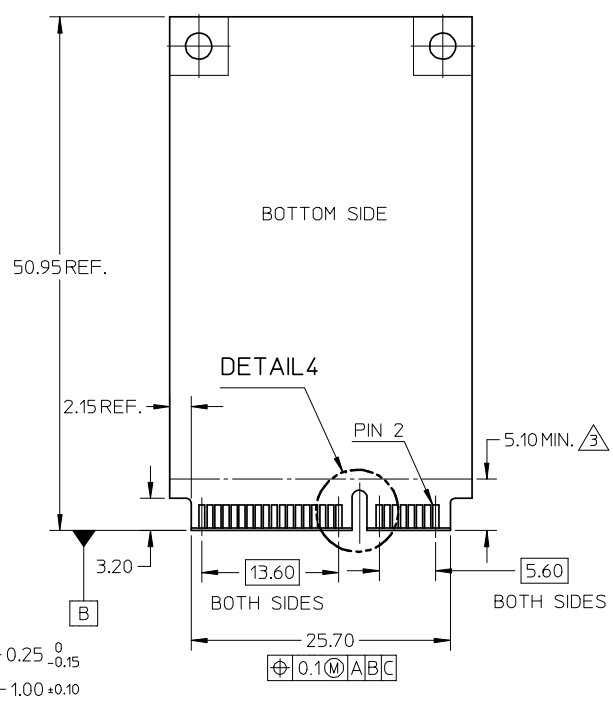
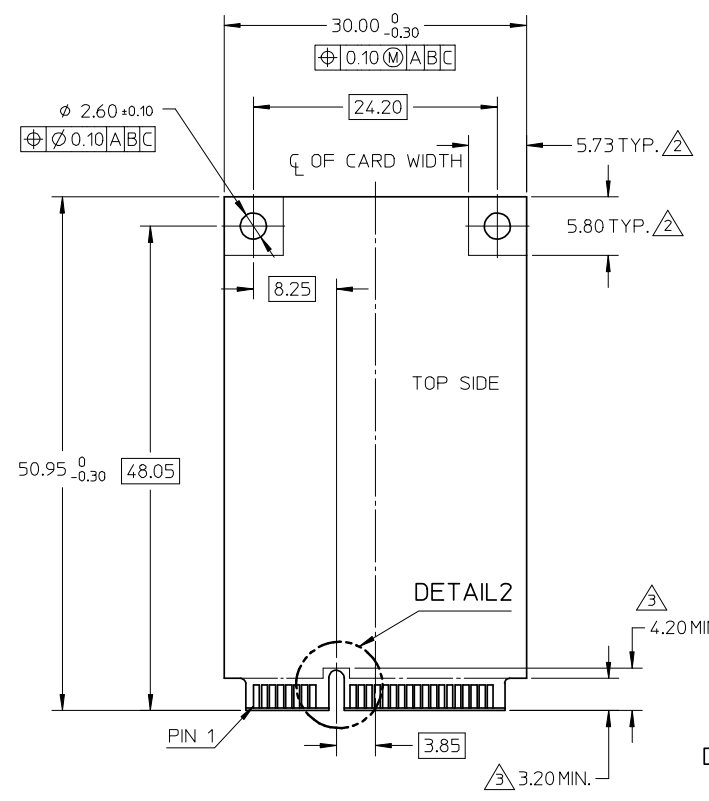


PUSH LATCH TO RELEASE MODULE



NEW RELEASE EC NO: SH2008-0172 DRW:DHU CHK:R0ST APPR:HWANG	2007/11/12 2007/11/12 2007/11/12 2007/12/27	DESCRIPTION REV	QUALITY SYMBOLS	GENERAL TOLERANCES (UNLESS SPECIFIED)	DIMENSION STYLE	SCALE	DESIGN UNITS	THIRD ANGLE PROJECTION	
			$\nabla=0$ $\nabla C=0$	mm INCH 4 PLACES ± --- ± --- 3 PLACES ± --- ± --- 2 PLACES ± 0.25 ± --- 1 PLACE ± 0.25 ± --- ANGULAR ± 3 °	MM ONLY	1:1	METRIC		
				DRAFT WHERE APPLICABLE MUST REMAIN WITHIN DIMENSIONS	DRAWN BY: DAVID HU CHECKED BY: HARVEY APPROVED BY: GARY MATERIAL NO. 48099-4000	DATE: 2005/11/10 DATE: 2005/11/10 DATE: 2005/11/10	TITLE: LATCH FOR MINIPCI-E 4.0H 0.8MM PITCH 52 CIRCUIT WITH COVER LEAD-FREE MOLEX INCORPORATED		
					SIZE: A3 THIS DRAWING CONTAINS INFORMATION THAT IS PROPRIETARY TO MOLEX INCORPORATED AND SHOULD NOT BE USED WITHOUT WRITTEN PERMISSION	DOCUMENT NO. SD-48099-400 SHEET NO. 1 OF 3			

NOTES:
 1. PIN NUMBERING REFERENCE:
 ODD PINS-TOP SIDE
 EVEN PINS-BOTTOM SIDE
 2. COMPONENT AND ROUTING(ALL LAYERS)
 KEEP OUT AREA FOR HOLD DOWN SOLUTIONS
 3. COMPONENT KEEP OUT AREA FOR CONNECTOR



NEW RELEASE EC NO: SH2008-0172 DR:WINDHU 2007/11/12 CHKD:ROST ZHANG 2007/11/12 APPR:HWANG 2007/12/27	QUALITY SYMBOLS ▽=0 ◻=0	GENERAL TOLERANCES (UNLESS SPECIFIED)		DIMENSION STYLE MM ONLY		SCALE 1:1	DESIGN UNITS METRIC	THIRD ANGLE PROJECTION		
		4 PLACES ± --- ± ---	mm INCH	DRAWN BY DAVID HU	DATE 2005/11/10	TITLE LATCH FOR MINIPCI-E 4.0H 0.8MM PITCH 52 CIRCUIT WITH COVER LEAD-FREE				
		3 PLACES ± --- ± ---		CHECKED BY HARVEY	DATE 2005/11/10	MOLEX INCORPORATED				
		2 PLACES ± 0.25 ± --- 1 PLACE ± 0.25 ± ---		APPROVED BY GARY	DATE 2005/11/10	MATERIAL NO. 48099-4000	DOCUMENT NO. SD-48099-400	SHEET NO. 3 OF 3		
DRAFT WHERE APPLICABLE MUST REMAIN WITHIN DIMENSIONS		ANGULAR ± 3 °		THIS DRAWING CONTAINS INFORMATION THAT IS PROPRIETARY TO MOLEX INCORPORATED AND SHOULD NOT BE USED WITHOUT WRITTEN PERMISSION						